

Why Choose Regency?

At Regency, our past 40 years have been focused on providing a high-level of service while building high-quality and reliable products that our customers can enjoy for years to come.

HIGH-QUALITY

Producing a high-quality product has been at the very heart of what we do; from when that very first stove rolled off the production line over 40 years ago to today. We are ever-focused on producing quality products for our customers that will last for years to come.

BEST WARRANTY

A fireplace should be reliable and should work right the first time it is used, and the 1,000th. A core part of our business is making sure that we are building long-lasting, durable, high-quality products. We back-up that commitment with the industry's best warranty on all our products.

COST-EFFICIENT

Never before have home heating costs been higher. Turn your furnace way down and zone heat with our beautiful, reliable and convenient Regency products. Not only can you cut your fuel bills in half, but you'll be able to enjoy the timeless comfort of a Regency fire.

Why Regency? Because it's more than a fireplace!

Table of Contents

Narrabri®	04
Cardinia®	05
Renmark®	06
Alterra®	07
Windsor®	08
Hamilton®	09
Albany®	10
Hume	11
Gosford	12
Kingston	13
Technology	14
Specifications	15





Narrabri wood fire.

Narrabri® | Wood Fire

The Narrabri is a perfect fit for smaller rooms providing heat that is fully adjustable with the easy to use, single rod draft control. With a steel firebox and quality firebrick lining, this heater will provide your home with warmth for years to come.

STANDARD FEATURES

- Heats approx. 100 - 140 sq.m*
- Glass viewing area (340 x 250mm)
- Single rod draft control
- Strong bakelite handles
- Steel firebox with firebrick lining
- Airwash system
- Adjustable leg bolts for levelling on uneven surfaces
- Emissions: 1.4 g/kg



Cardinia wood fire.

Cardinia® | Wood Fire

Designed to heat small to medium sized living areas, the simple modern lines of the Cardinia suit a wide range of decors. This radiant heater boasts several features, including: a large glass viewing area, the ability to heat approximately 160 - 200 sq.m* and front-to-back or side-to-side log placement.

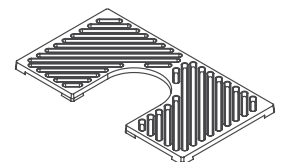
STANDARD FEATURES

- Heats approx. 160 - 200 sq.m*
- Large glass viewing area (458 x 260mm)
- Single rod draft control
- Strong bakelite handles
- Steel firebox with firebrick lining
- Airwash system
- Low emissions: 0.5 g/kg

OPTIONS

- Steel baffle
- Cast iron liners
- Cast iron cook top

Cardinia cast cook top



* Varies depending on home floor plan, house layout, heat loss of the house and quality/moisture content of wood.



Renmark wood fire.

Renmark® | Wood Fire

Its contemporary design and large viewing area sets the Renmark apart from traditional freestanding wood fires. This convection heater, with optional 2-speed fan, is designed for medium sized living areas and can easily heat approximately 180 - 220 sq.m.

STANDARD FEATURES

- Heats approx. 180 - 220 sq.m*
- Large glass viewing area (458 x 260mm)
- Single rod draft control
- Strong bakelite handles
- Steel firebox with firebrick lining
- Airwash system
- Low emissions: 0.5 g/kg

OPTIONS

- 2-speed thermostatically controlled fan
- Steel baffle
- Cast iron liners



Alterra wood fire.

Alterra® | Wood Fire

A wood burning stove with modern appeal! The contemporary design of Regency's Alterra wood stove puts the focus on the brilliant glowing fire. With an impressive viewing area, and a convenient firewood storage area, the Alterra is perfectly proportioned for visual pleasure and functional convenience.

STANDARD FEATURES

- Heats approx. 200 - 240 sq.m*
- Large glass viewing area (461 x 260mm)
- Single rod draft control
- Strong bakelite handles
- Steel firebox with firebrick lining
- Airwash system
- 2-speed thermostatically controlled fan
- Low emissions: 0.5 g/kg
- Black side panels

OPTIONS

- Stainless steel side panels
- Steel baffle
- Cast iron liners

* *Varies depending on home floor plan, house layout, heat loss of the house and quality/moisture content of wood.*

**NEW
PRODUCT!**



Windsor wood fire shown with arched door, legs and bottom shield.

Windsor® | Wood Fire

Choose the Windsor and bring the wood fire warmth to your home. Perfect for heating large living areas (approx. 200 - 240 sq.m), this wood fire has all the modern conveniences: efficient heat, optional ash drawer, and easy operation; while keeping up with tradition.

STANDARD FEATURES

- Heats approx. 200 - 240 sq.m*
- Large glass viewing area (380 x 215 mm)
- Front mounted air adjustment
- High performance brick-lined firebox reflects heat
- Cast iron legs in black
- Cast iron arched door in black
- Low emissions : 1.3 g/kg
- Brick set

OPTIONS

- 2-speed thermostatically controlled fan
- Convector airmate
- Ash drawer
- Outside air kit

**NEW
PRODUCT!**



Hamilton wood fire shown with contemporary door and pedestal.

Hamilton® | Wood Fire

The Hamilton medium wood fire brings warmth and contemporary styling to your home. Perfect for heating large living areas (approx. 200 - 240 sq.m), this wood fire has all the modern conveniences: efficient heat, optional ash drawer, and easy operation.

STANDARD FEATURES

- Heats approx. 200 - 240 sq.m*
- Large glass viewing area (380 x 215 mm)
- Front mounted air adjustment
- High performance brick-lined firebox reflects heat
- Contemporary cast iron door
- Low emissions : 1.3 g/kg
- Brick set

OPTIONS

- 2-speed thermostatically controlled fan
- Convector airmate
- Ash drawer
- Outside air kit

* *Varies depending on home floor plan, house layout, heat loss of the house and quality/moisture content of wood.*



Albany wood fire.

Albany® | Wood Fire

The Albany sets the standard for the industry's most reliable, well-constructed freestanding wood fire; providing beautiful wood heat to a large living area of 200 - 240 sq.m*. Load wood front-to-back or side-to-side for optimum convenience, then sit back and enjoy the warmth.

STANDARD FEATURES

- Heats approx. 200 - 240 sq.m*
- Large glass viewing area (458 x 260mm)
- Single rod draft control
- Strong bakelite handles
- Steel firebox with cast iron lining
- 8mm steel baffle
- Airwash system
- Powerful 3-speed thermostatically controlled fan
- Low emissions: 0.5 g/kg



Hume wood fire.

Hume | Wood Fire

The Hume provides a dramatic wide glass view of an incredible fire while warming larger living areas. The firebox is specially designed to maximize heat output and is fitted with a 3-speed fan for extra circulation. The resulting heating capacity is an area of approximately 280 - 320 sq.m.*

STANDARD FEATURES

- Heats approx. 280 - 320 sq.m*
- Large glass viewing area (577 x 277mm)
- Single rod draft control
- Strong bakelite handles
- Steel firebox with cast iron lining & a firebrick base
- 8mm steel baffle
- Airwash system
- Powerful 3-speed fan
- Low emissions: 1.5 g/kg

* *Varies depending on home floor plan, house layout, heat loss of the house and quality/moisture content of wood.*



Gosford wood fire.

Gosford | Wood Fire

Impressive in size and performance, the Gosford delivers incredible high efficiency heat for maximum comfort. The sleek styling is complemented by Regency's tradition of reliability and leading edge wood burning technology. The Gosford produces more heat using less wood by extending the burn.

STANDARD FEATURES

- Heats approx. 280 - 320 sq.m*
- Large glass viewing area (576 x 275mm)
- Single rod draft control
- Strong bakelite handles
- Steel firebox with firebricks lining the base
- Cast iron liners
- 8mm steel baffle
- Airwash system
- Powerful 3-speed fan
- Low emissions: 1.5 g/kg



Kingston wood fire.

Kingston | Large Hybrid Catalytic Wood Fire

The Regency Kingston Wood Freestanding lets you enjoy the impressive heat performance of Regency's largest wood fire with today's clean modern styling. This catalytic wood fire delivers both function and style that feature sleek lines, a contemporary door design and large clean viewing area of a roaring wood fire.

STANDARD FEATURES

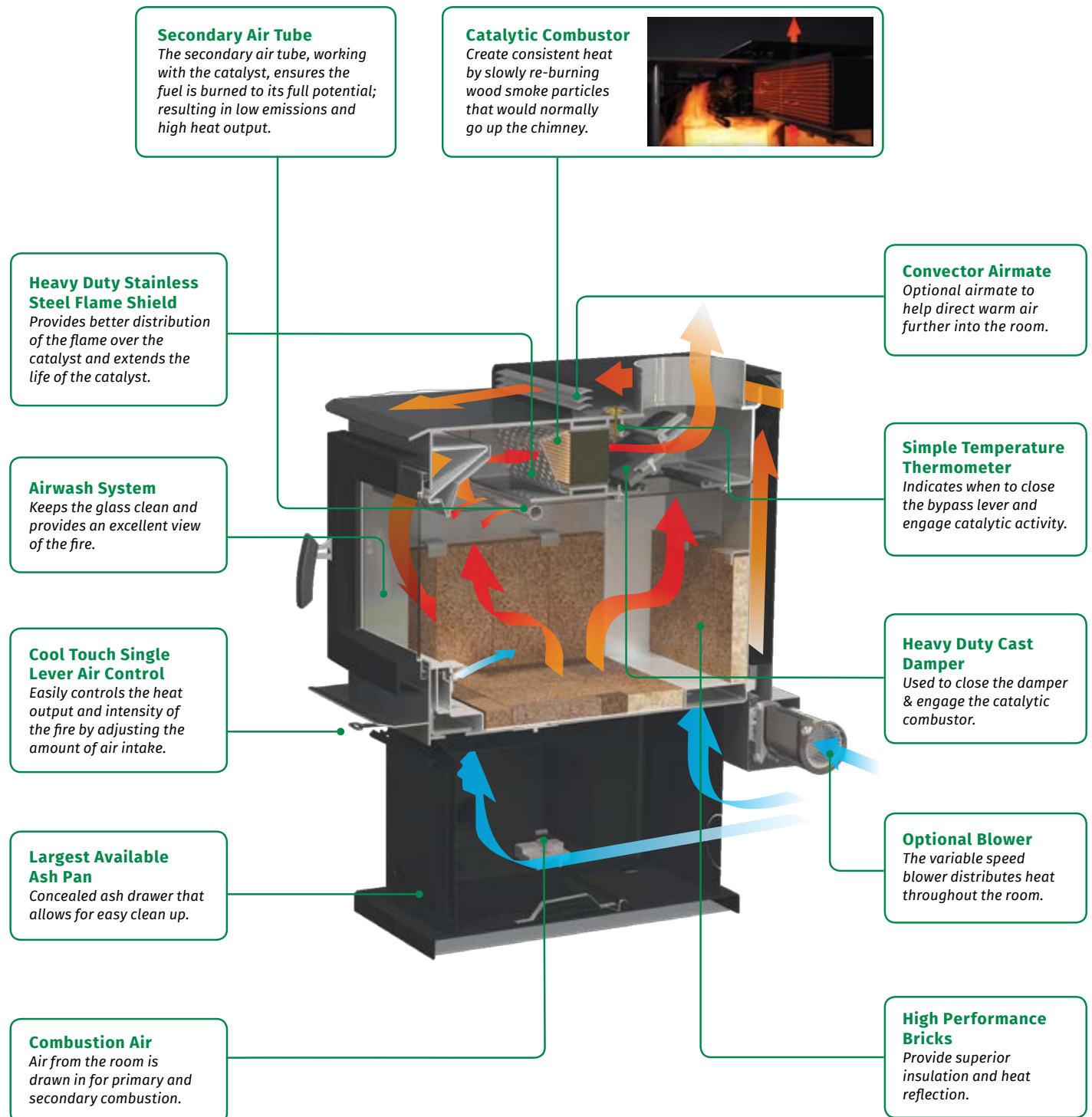
- Heats approx. 180 - 220 sq.m*
- Catalytic Stove with Eco-Boost Technology
- Single lever bypass control to engage catalyst
- Single-lever air control
- Steel firebox with firebrick lining
- Rear heat deflector to reduce clearances
- Airwash system helps keep the glass clean
- Discreet ashlip
- Contemporary cast iron door
- 170° opening door for easy loading
- Easy to read thermometer
- Emissions: 0.4 g/kg
- Efficiency: 65%

OPTIONS

- Extra large ash drawer with cover
- 2-speed thermostatically controlled fan
- Convector airmate
- Outside air-kit

** Length of burn time and output depend upon wood species used, moisture content of wood, elevation, climate conditions and installation.*

Eco-Boost Technology | Kingston Wood Freestanding



*Not shown in diagram

Heavy Duty Cam Latch
Ensures airtight seal for controlled airflow.

Specifications (mm)

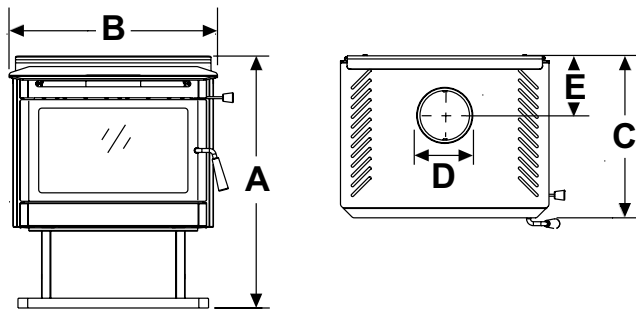
Specifications	Narrabri	Cardinia	Renmark	Alterra	Windsor/ Hamilton	Albany	Hume	Gosford	Kingston
Heating capacity	100-140 m ²	160-200 m ²	180-220 m ²	200-240 m ²	200-240 m ²	200-240 m ²	280-320 m ²	280-320 m ²	180-220 m ²
Efficiency	67%	69%	69%	70%	63%	70%	65%	65%	65%
Emissions (g/kg)	1.4	0.5	0.5	0.5	1.3	0.5	1.5	1.5	0.4
Average heat output (kW)	7.8	10	10	11	9.4	11	13	13	9.7

Where fitted thermostatically controlled fans do not activate until fire heats up and may take 20-30 mins.

NOTE: Heating capacity and any burn times are a guide only and can be affected by some or all of the following examples: drafts under doorways or between floorboards, large glass areas not covered by heavy drapes/curtains, green, wet or damp wood, ceiling heights greater than 2.4 metres or cathedral type ceilings, poor or no insulation.

Heating capacities are based on cooler Australian climate areas – warmer geographical locations within Australia such as Queensland, Northern NSW and Western Australia should factor an increase in unit heating area.

This is a guide - specifications based on the current model at time of publishing. Always refer to the data plate for unit specific details.



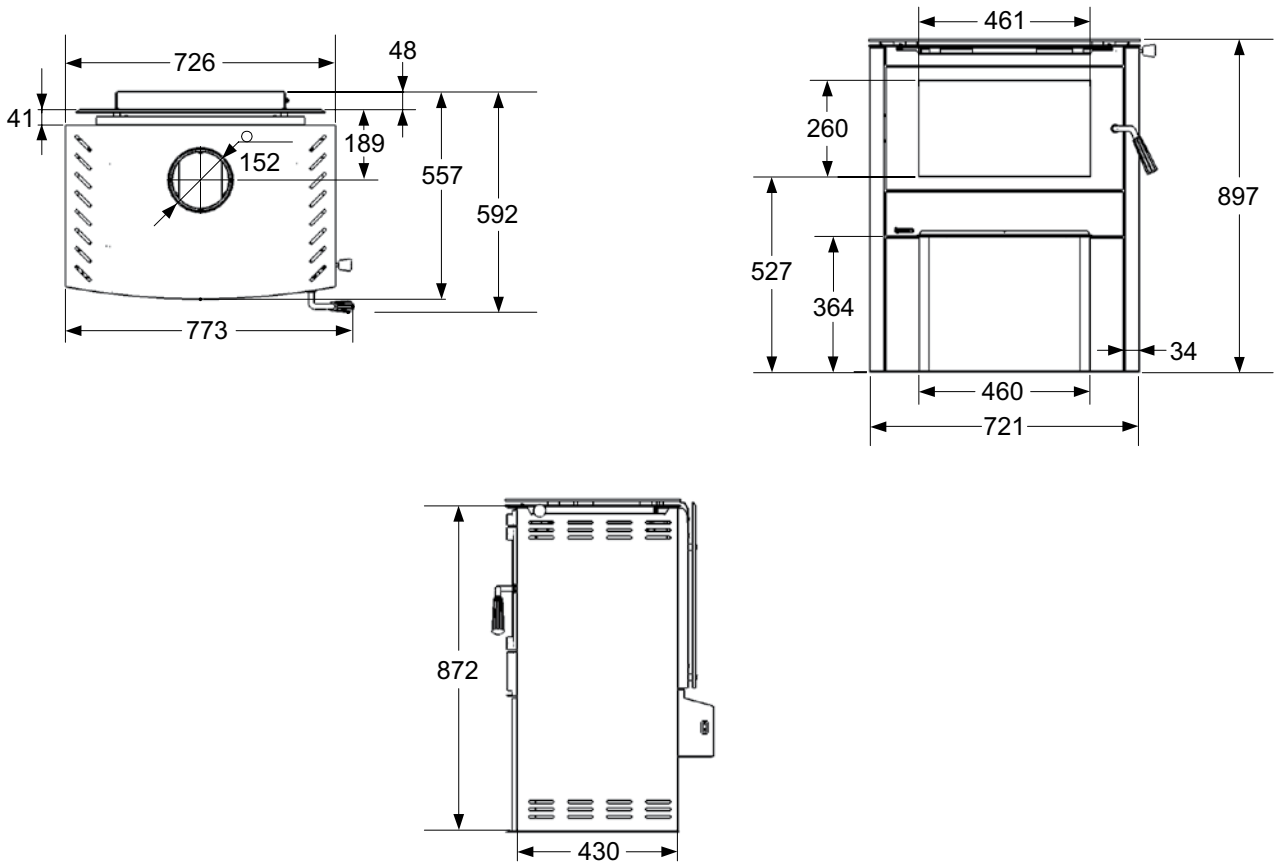
Dimensions	A*	B	C**	D	E
Cardinia	692	585	463	152	180
Renmark	712	640	497	152	183
Hamilton / Windsor	879 / 798	610	630	152	163
Albany	792	688	482	152	194
Hume	859	769	539	152	170
Gosford	902	794	570	152	167
Kingston	914	660	768	152	225

*Measured to top of flue collar for height (Kingston, Gosford)

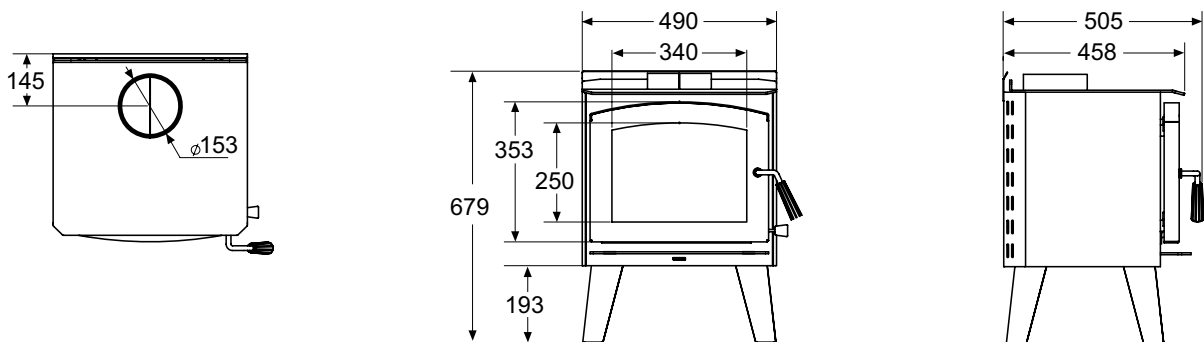
**Including Ash Lip (Kingston)

Specifications (mm)

ALTERRA

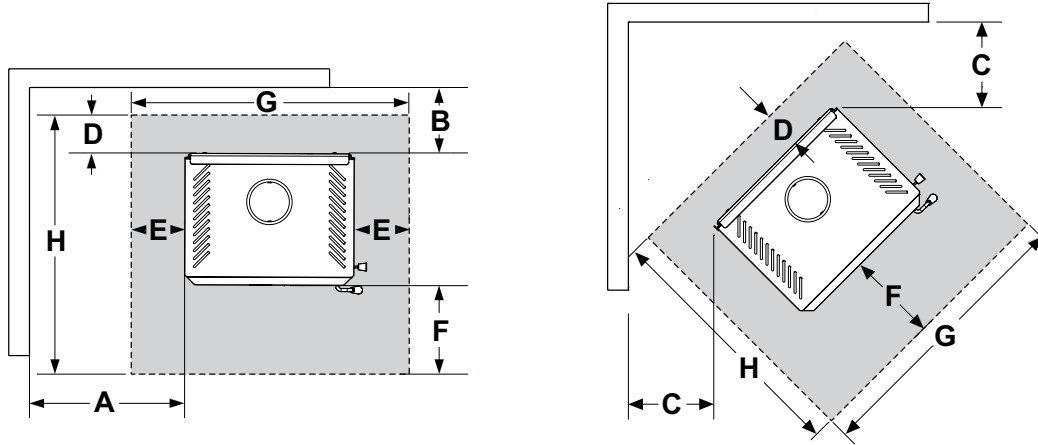


NARRABRI



Specifications (mm)

CLEARANCES TO COMBUSTIBLE MATERIALS & MINIMUM HEARTH MEASUREMENTS



Residential Installation			A	B	C	D	E	F	G	H
Narrabri	Standard Default Kit (3, 5)		650	225	375	0	135	300	760	780
Cardinia	Standard Default Kit (1)		700	225	450	192	147	450	880	1105
	AHD Special Kit		750	250	450	192	147	450	880	1105
Renmark	Standard Default Kit (1)		400	100	175	100	120	350	880	914
	AHD Special Kit (4)		450	100	175	100	120	350	880	914
Alterra	Standard Default Kit (1)		475	160	175	160	78	300	875	969
	AHD Special Kit		475	160	175	160	78	300	875	969
Windsor/ Hamilton	Standard Default Kit (2)	Rear Deflector	450	100	275	0	118	300 (7)	845	990
	StateWide Heating 6141ws (8)	Rear Deflector	550	175 (9)	275	0	118	300 (7)	845	990
Albany	Standard Default Kit (2)		400	100	75	100	96	350	880	932
	AHD Special Kit		400	100	125	100	96	350	880	932
Hume	Standard Default Kit (2)		400	180	200	181	123	400	1015	1120
	AHD Special Kit		450	300	200	181	123	400	1015	1120
Gosford	Standard Default Kit (2)		390	160	200	160	123 (6)	380 (6)	1015	1080
	AHD Special Kit	Refer to Manual	420	220	200	220	123 (6)	380 (6)	1015	1140
Kingston		with AirMate or Rear Deflector	250	150	100	12	200	300	1060	1000

Note (1) Standard Default Kit used for clearances includes 1 x 900 mm length of 130° stainless between active flue and 2 lengths of decromesh.

Note (2) Standard Default Kit only required includes 2 lengths of decromesh.

Note (3) B clearance can be reduced to 125 mm by the addition of 1 x 900 mm x 180° stainless shield fitted and spaced between the active flue and the decromesh.

Note (4) AHD special kit can be substituted with Statewide Heating 6141ws kit + 95200.

Note (5) Standard default kit can be substituted with flomet super single flue kit.

Note (6) measured from front edge of floor protector to pedestal base.

Note (7) measured from appliance door.

Note (8) Double sleeved flue kit (State Wide Heating p/n 6141ws) with 195200 rear shield fitted.

Note (9) Rear clearance can be reduced to 100mm with Airmate fitted.

This is a guide - always refer to installation manual for specifications.

Burning Wood - a Green Choice



WOOD IS AFFORDABLE

Reduce your dependence on high priced, non-renewable home heating fuels by burning wood. Turn your fire down and enjoy comforting warmth in your main living area with a Regency wood product. Whether you buy your wood or collect it yourself, you will notice the savings within its first year.

RENEWABLE RESOURCE

Wood is a renewable natural resource - well-managed forests are a renewable, sustainable source of energy that helps us reduce greenhouse gas emissions and be less dependent on oil & gas.

WOOD IS CARBON NEUTRAL

As trees grow they absorb carbon dioxide from the atmosphere. When trees die and are left to decompose in the forest or burn in forest fires the carbon stored in the trees is released in the atmosphere as carbon dioxide. Burning firewood produces the same amount of carbon dioxide as it has absorbed during its life cycle - making wood burning carbon neutral.

CERTIFIED

All Regency Wood Stoves and Fireplaces have been tested and certified to the strictest Australian Clean Air Standards.

Industry's Best Warranty



ENJOY YOUR REGENCY — FOR LIFE

You'll be happy with your Regency for years to come, our 15 years Limited Warranty guarantees it. Not only have we invested in quality workmanship, the finest materials and durable heavy-duty construction but we have carefully selected a dealer network that is committed to your satisfaction. All Regency wood fires exceed stringent Australian testing standards. We know that you will be as proud of your Regency as we are.



NOTE: All product specifications are subject to change without notice. Before installing refer to the relevant product manual for full and up to date information. Heating capabilities of units are affected by: drafts under doorways or through flooring, large glass areas not covered by heavy drapes, ceiling heights greater than 2.4m or cathedral type ceilings, poor or no insulation and geographical locations.



for your nearest dealer visit:
regency-fire.com.au
or call 1 800 081 978

Fireplace Products Australia Pty Ltd.
1 Conquest Way, Hallam VIC 3803
Australia
Phone: 1 800 081 978
Fax: 03 9799 7822
Email: sales@regency-fire.com.au

Distributor WA
Air Group Australia
28 Division St.
Welshpool WA 6106
Australia
Phone: 08 9350 2200

Your Regency Dealer

Disclaimer: *Appearance of flames varies with installation and fuel type.*

©2021 FPI Fireplace Products International Ltd. Regency®, Windsor / Hamilton, Hume, Gosford, Kingston, Albany®, Alterra®, Bellerive®, Berwick®, Cardinia®, Narrabri®, and Renmark® are the registered and/or proprietary trademarks of FPI Fireplace Products International Ltd. All rights reserved. (04/21)
Part no. 944-296